

Contents

► Various option

A series
Part List

A series
Selection guide
Dimension

A series
Torque table

R series
Part list

R series
Selection guide
Dimension





R series
Torque table

Various option


Limit switch
box

Positioner

● Indicator


A	B	C	D
			
<ul style="list-style-type: none"> · It is fixed with screws. 	<p>Standard indicator</p> <ul style="list-style-type: none"> · It is possible to assemble the switch box in an indicator-mounted state. 	<ul style="list-style-type: none"> · To AR50~AR160 can be used with 1 size. · It is easy to recognize since size is big. 	<ul style="list-style-type: none"> · There is no discoloration with plastic 4 piece indicator system. *For R40/AR50~AR125

● Epoxy coated actuator




- Epoxy coated after hard anodized aluminum body.
- It is used for Chemical pipe line.

● Stainless steel actuator

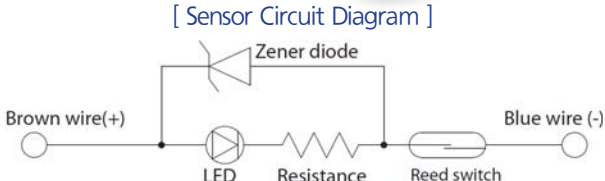


- Body and end cap's material are stainless steel.
- Model range : RD65, RD90, RD125, RS65, RS90, RS125

● Side sensor



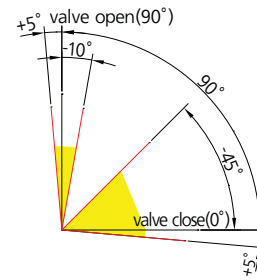
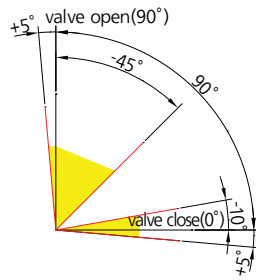
[Sensor Circuit Diagram]



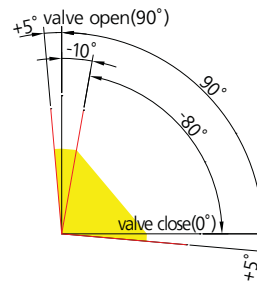
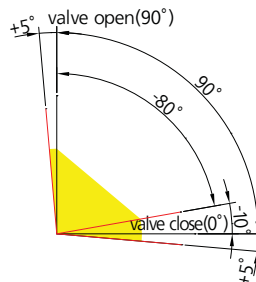
Sensor Specification	
Sensor	D-93K (KCC)
Application	Relay, PLC
Voltage	DC24V AC110V
Current range	5~40mA 5~20mA
Contact protection circuit	None
Internal voltage drop	≤2.7V
Indicator lamp	Red LED
Wire length	1m(standard), 3m, 5m

● Stopper

[Center stopper]



[End cap stopper]

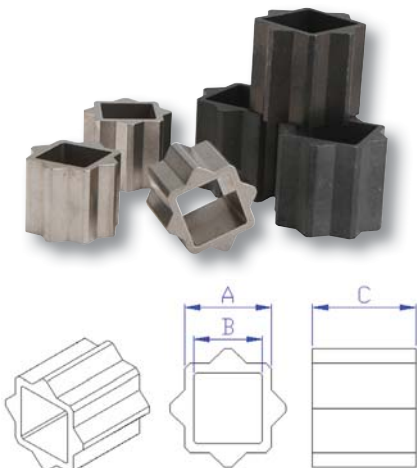


● Port pad



- Change Port size easily.
- Assemble other size NAUMUR solenoid valve with long screws.
- Add vent hole for quick response time in case of spring return.

● Adapter



Double square			Single square		
A	B	C	A	B	C
11	9	12	11	9	10
14	9	15	14	9	15
14	11	15, 18	14	11	16, 15
17	14	18	17	11	17
17	11	18	17	14	17
22	14	24	22	17	22
22	17	24	27	22	27
27	17	27			
27	22	27			
36	27	38			

Contents

A series
Part List

A series
Selection guide
Dimension

A series
Torque table

R series
Part list

R series
Selection guide
Dimension

R series
Torque table

Various option

Limit switch
box

Positioner

● Side Hand Wheel

Contents

A series
Part List

A series
Selection guide
Dimension

A series
Torque table

R series
Part list

R series
Selection guide
Dimension

R series
Torque table

Various option

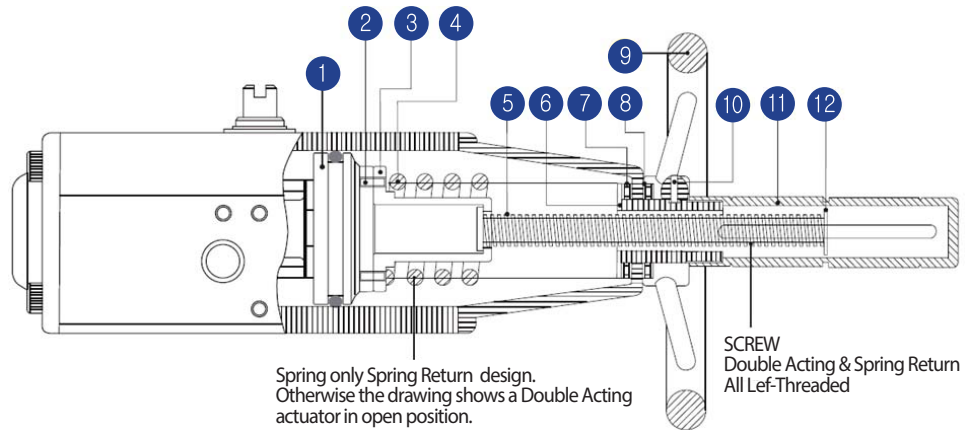
Limit switch
box

Positioner



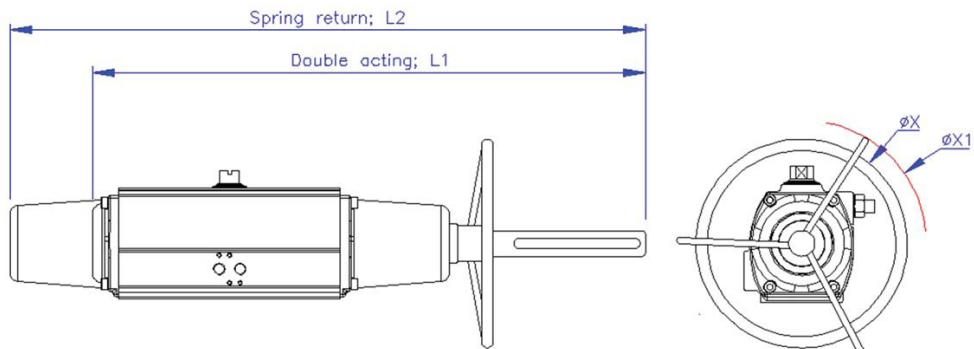
· Can open or close valves by manual when air fails.

· Part list



No.	1	2	3	4	5	6	7	8	9	10	11	12
Part	Piston	Screw Bolt	Spring Cap	Spring	Screw Stem	Stem Nuts	Needle Bearing	Plate	Handwheel	Set Screw	Protecting Tube	Indicator

· Dimension table



Model	L1	L2	X	X1	MODEL	L1	L2	X	X1
A50	315	410	127		A125	653	869	200	332
A65	396	512	162		A140	694	945	300	440
A80	460	628	202		A160	810	1085	300	440
A100	576	763	200	332	A210	948	1325	300	584

*Torque of Pneumatic actuator with side hand wheel is different with standard, Please contact our staff.